



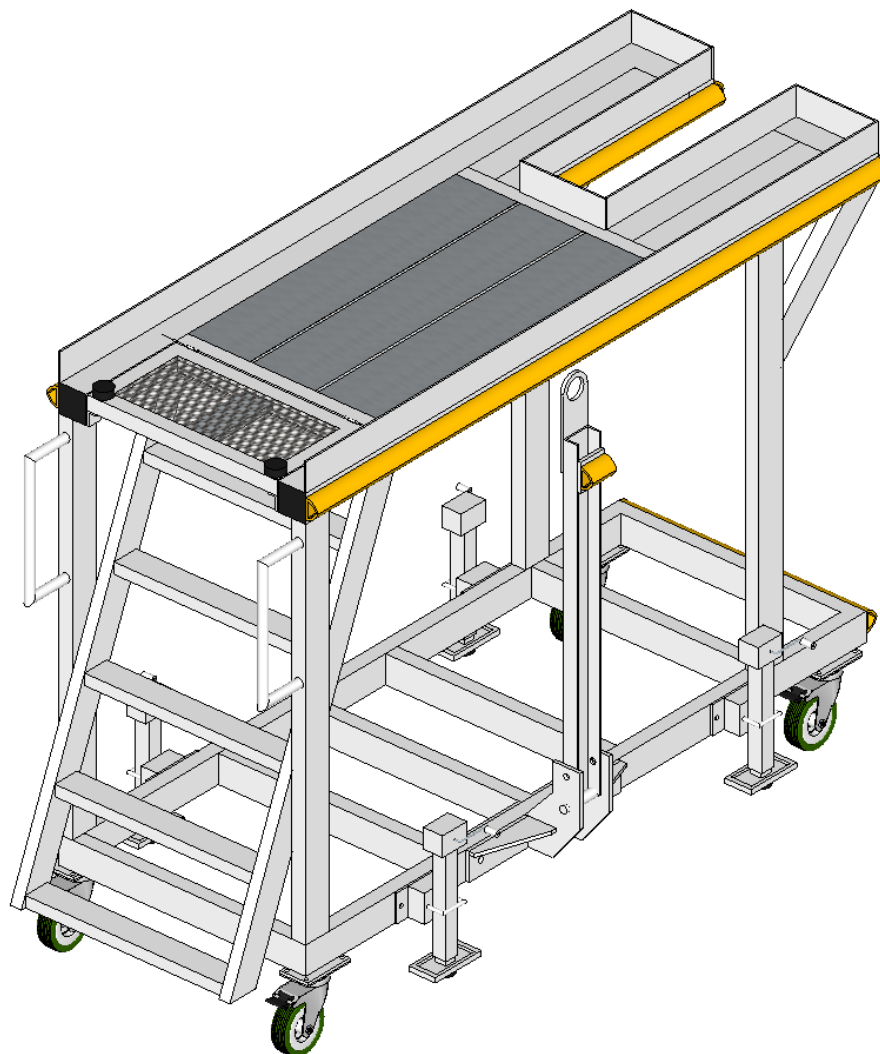
Instruction Manual

NBCP2504 – B787 Nose Landing Gear Platform

Platform height: 1800mm

Safe Working Load (SWL): 250Kg

Date: 9/08/2016



1. Introduction

This document provides instructions for the safe operation of the platform from assembly through to disposal. Particular care should be taken to ensure the product is used in a manner consistent with its intended purpose. Should you require any further information please contact No Bolt Operations on the number contained within.

2. IMPORTANT

- 2.1 If unsure, do not use the unit.
- 2.2 The unit should only be used by a competent person.
- 2.3 All competent users must understand the information affixed to the platform and contained within these instructions.
- 2.4 A Person Conducting Business or Undertaking (PCBU) must review and where necessary revise control measures:
 - a. When the control measure is not effective in controlling the risk.
 - b. If a new hazard or risk is identified.
 - c. Before a change at the workplace is likely to give rise to a new or different health and safety risk
 - d. If a health and safety representative requests a review.
 - e. When reviewing control measures, a Safe Work Method Statement (SWMS) must also be reviewed and revised where necessary.
 - f. If the results of consultation indicate that a review is necessary.

3. Intended Purpose

- 3.1 This unit is designed as a height safety working platform to provide safe access within the Nose Landing Gear area of a Boeing 787 by Jetstar trained personnel only.
- 3.2 The unit supplied must not be used in a manner other than for which it is intended and designed for as specified in the instruction manual.
- 3.3 Before attempting to use the unit for its intended purpose, the unit must be set up and secured completely as stated throughout the instruction manual.
- 3.4 Assistance must be provided to any operator with reading or language related limitations.
- 3.5 The unit must not be used by an operator who is in poor health, subject to faint spells, fatigued, under the influence of alcohol or any substance that may impair their ability to use the unit safely.
- 3.6 The unit is not insulated against electric shock; it must only be used in an environment free of electrical hazards.
- 3.7 The unit must only be used on a surface that can support the combined unit weight and the Safe Working Load specified in the instruction manual.
- 3.8 The unit must be stationary when in use and must not be interfered with after it is deployed and secured correctly.
- 3.9 The unit must not be used in conjunction with any other unit or height accessing equipment including but not limited to step ladders, ramps, stairs etc.
- 3.10 The unit supplied should form part of an integrated safety system based on the hierarchy of controls.
- 3.11 Hands and loose fitting cloths must be kept away from moving parts within the supplied unit.
- 3.12 Long hair must be tied back and away from moving parts within the supplied unit.

4. PPE (Personal Protective Equipment)

Operators must wear non-slip footwear. No Bolt Operations Pty Ltd recommends that a risk assessment into the use of the unit is performed by the client to determine what additional PPE is required.

5. Pre check/Assembly/Setup

- 5.1 The unit is delivered as one main assembled unit. Assembly is not required.

6. Operation

- 6.1 Operators of the unit supplied must be made fully aware of the instructions and trained according to the instructions on a regular basis.
- 6.2 A process must be introduced to ensure that only the operators who have been trained in the safe use of this unit are able to use the unit.
- 6.3 Operators must not access the unit during transportation or repositioning of the unit.
- 6.4 Operators must observe all relevant safety and operational stickers/features before attempting to use the unit.
- 6.5 The unit must be inspected prior to each use to ensure that it is in good working order. If any defects are found the unit must be taken out of service until the defects have been rectified.
- 6.6 Operators must wear non-slip footwear when using the supplied unit.
- 6.7 Bolts and welds must not be tampered with.
- 6.8 Do not rock or intentionally try to destabilize the unit.
- 6.9 The unit must be used in a well-lit environment.
- 6.10 The unit must be as close as practically possible to the plant before attempting to access. The maximum allowable gap between the unit and the plant is 100mm.
- 6.11 The unit must be used on a flat surface.
- 6.12 The unit must not be used under harsh environmental conditions such as thunderstorms, excessive wind and heavy rain.
- 6.13 Do not access the unit if the surface is wet or slippery.
- 6.14 The unit must be stationery with all side winder jacks applied when in use.
- 6.15 The unit must be cleared of obstructions, kept clean free of dirt, grease or any other substance that may impede the safe operation of the unit.
- 6.16 Operators must access and egress the unit in a forward direction.
- 6.17 Operators must keep three points of contact whilst ascending and descending the ladder.

- 6.18 No more than one person on each step at any one time.
- 6.19 Activities other than accessing or egressing must not be performed on the ladder.
- 6.20 Do not climb on the side of the unit.
- 6.21 The trap door is secured in place for shipping by a cable tie. The cable tie must be removed prior to use
- 6.22 The trap door must be in the closed position as soon as it is passed through.
- 6.23 Thorough checks of the complete main unit must be carried out before full access is approved.
- 6.24 Adequate adjustment in speed should be made over non smooth surface conditions and during cornering whilst towing the unit.

7. Storage/Disposal

- 7.1 Environmental conditions should be considered when storing the unit. Conditions such as high winds may cause lift or movement of the unit.
- 7.2 To prevent unauthorized access, ensure unit is stored in a secure location.
- 7.3 Once the product is no longer required it must be disposed of in manner consistent with relevant environmental legislation.
- 7.4 The unit must not be sold on.

8. Maintenance/Inspection

- 8.1 If the unit is found to be faulty, it must be quarantined in a manner that prevents further use.
- 8.2 The unit must be inspected on a regular basis by qualified personnel or competent persons to ensure its continued suitability for purpose, completeness and presence of all relevant safety stickers.
- 8.3 The Instruction Manual should be kept in a safe secure area easily accessible for users.
- 8.4 For further information on inspection intervals and replacement parts contact No Bolt Consulting. Contact details are found in Section 10 of the instruction manual.

9. Australian Standards

- 9.1 The unit must only be loaded in accordance with its Safe Working Load.
- 9.2 The supplied unit has been manufactured in accordance with the following standards
AS/NZS1657:2013 Fixed Platforms, Walkways, Stairways and Ladders
AS/NZS1664:1997 Aluminum Structures
AS/NZS1665:2004 Welding of Aluminum Structures

10. Contact Details - No Bolt Operations

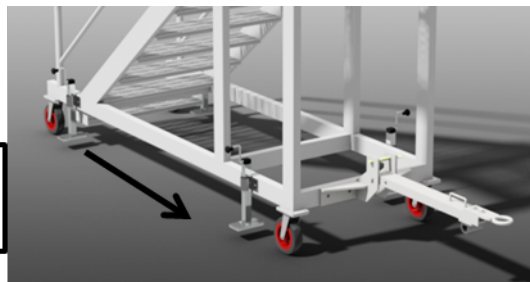
Should you require any further information or a duplicate copy, please contact head office:

No Bolt Operations Pty Ltd 29 Union Road Dandenong South, VIC 3175 P:03 8710 3900/1800 331 478 F:03 8710 3999 E: sales@nobolt.com.au W: www.nobolt.com.au	No Bolt Consulting P:03 8710 3900/1800 331 478 E: sales@nobolt.com.au
--	---

Towing of the platform

1. Before towing the unit, the castors at the opposite end of the platform must be locked in the direction of travel (pointing towards the towing arm). This ensures proper control during towing.
2. Ensure the side winder jacks are fully raised.
3. The towing arm is then lowered by removing the top holding pin from the arm bracket. Take care when lowering as the towing arm is heavy.
4. Connect tow arm to suitable towing vehicle and ensure proper, safe and positive connection.
5. After towing, release the towing arm from the towing vehicle and raise the towing arm by removing the top holding pin from the arm bracket. Ensure the towing arm is held up in the upright position when not in use.
6. To remove the tow arm completely, remove both holding pins from the arm bracket. Take care as the tow arm is heavy.

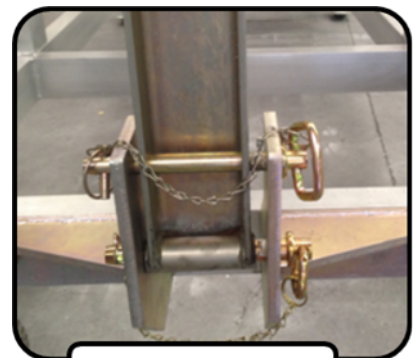
Lock rear castors in direction of arrow (Towards tow arm)



Return the pin in place before towing to prevent loss of items.



Remove top pin to rotate the tow arm.



Platform is now ready to be attached to towing vehicle.

